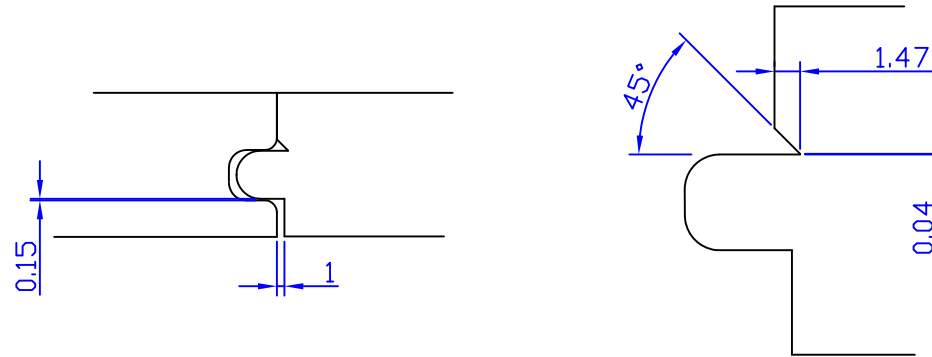
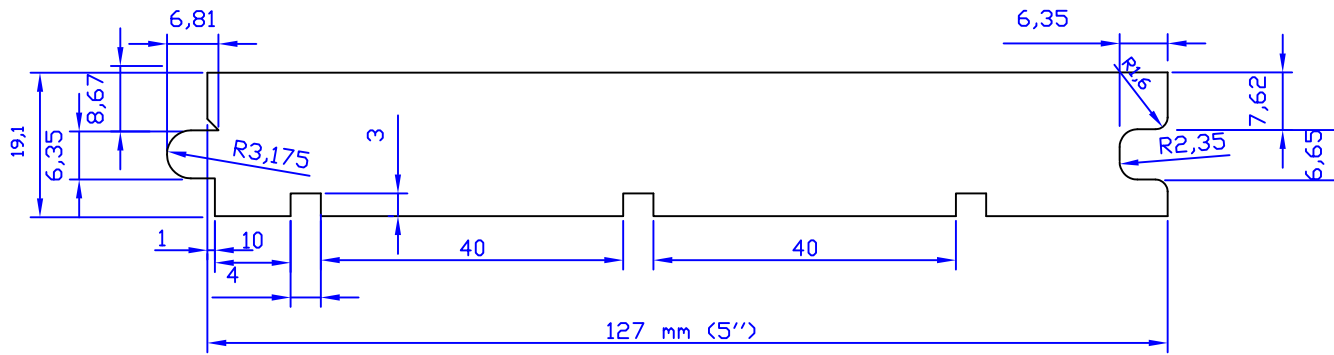




Product	:	IPE 127 mm Prime Solid Unfinished Hardwood Flooring
Dimensions	:	19mm x 127mm x 305-2134mm (Min. avg. length:1067mm)
Species	:	Ipe
Quality	:	Prime
Surface Finish	:	Unfinished
Edge Detail	:	Square Edged
Type	:	Solid Hardwood Planks
Assembly	:	T&G 4 Sides
Installation	:	Nailed, Glue Down or Elastilon Structural Floor – BS 8201:1987 – maximum span of joists is 505 mm
Warranty Residential	:	-
Warranty Commercial	:	-

Technical Information

Main Species	:	Ipe (<i>Tabebuia spp.</i>)
Wood Type	:	Tropical Hardwood
Distribution / Origin	:	Argentina, Brazil, Bolivia, Columbia, Peru, Guyana, Paraguay, Peru, Surinam, Trinidad and Tobago and Venezuela.
Allergic Reactions	:	Known to cause respiratory and contact dermatitis allergic reactions. Care should be taken when exposed to the dust of Ipe.
Density at 12% M.C.	:	1025 kilos/m3
Average Hardness	:	Janka: 3680 (White Oak: 1360) Brinell: 5.9 (White Oak: 3.8)
1% Moisture Movement	:	High 0.25-0.35% based tangential / radial shrinkage = width
General Characteristics	:	Sapwood is white and clearly demarcated from the heartwood; Heartwood is yellowish-brown to dark olive-brown, sometimes with thin veins. The timber is variegated with canals containing an olive green deposit from 'lapachol', the distinctive ipe oil.

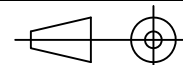


Tolerance : +/- 0.2 mm
At time of production



Woodtrend

3/4" x 127 mm T&G Flooring
Square Edges



A4